

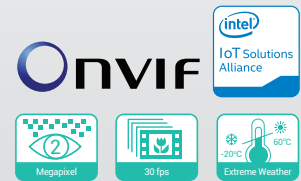
NCK-251

2MP System Camera, 1/2.7" Image Sensor, 2.5" SSD/HDD



Main Features

- X86 open platform
- Full HD1080P @30fps
- 2.5" SSD/HDD supported
- Support -20°C~60°C / -4°F~140°F
- Lens optional



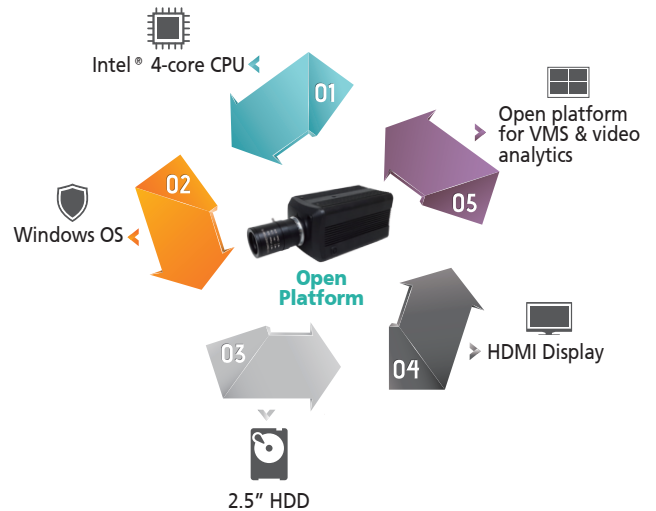
Product Overview

NCK-251 is an innovative product which combines IP camera & NVR in one. Open platform design allows users to integrate preferred VMS and VAs make the IP camera a smarter appliance. Optional 2.5" HDD inside helps to save cost of an storage appliance.

All-in-One System Camera



X86 Open Platform Architecture



Specifications

Camera General Information

CPU	Intel® E3845(Quad Core) Processor
Image Sensor	1/2.7" 2MP image sensor
Main Memory	1 x DDR3L SO-DIMM Socket, Support DDR3L 1600 4GB RAM.
Supported OS	Windows 7, 32bit/64bit
Min. lux	B/W0.05 lux/ Color 0.5 lux
Lens	CS / C Mount (optional)
Day and Night	Yes (With ICR)
ICR	YES
Image Enhance	Brightness, Contrast, Saturation, Sharpness, Mirror, Flip, Day/Night, Anti-flicker, AWB

Storage

mSATA	For OS, VMS, Applications
2.5" SSD/HDD	For Video & Audio Recordings

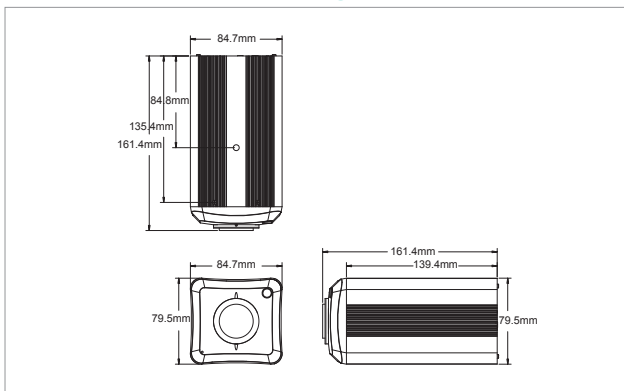
Video

Video Compression	H.264/M-JPEG
Video Streaming	Triple Streaming
Video Resolution	1920x1080 to 320x240
Video Quality	VBR/CBR
Frame Rate	1920x1080 @30 fps 1280x720 @30 fps 720x576 @30 fps 720x480 @30 fps 640x480 @30 fps 320x240 @30 fps

Audio

Audio Streaming	Two-way
Audio Compression	G.711 8KHz/ 16 bit
Audio Input	Line in
Audio Output	Line out

Dimension Drawing



Network

Interface	10/100/1000 Mbps Ethernet, RJ-45
Supported Protocols	HTTP, TCP/IP, UDP, RTP, RTSP, FTP, SMTP, DHCP, DNS, DDNS, NTP, uPnP, ONVIF, IPv4/v6
Browser	Internet Explorer (support up to IE 10), Chrome, Firefox, Safari
Security	Muti-level passwords / HTTP encryption

I/O Connector

Video Display	HDMI
Audio in/ out Port	3.5mm phone jack x2
D I/O	Dlx1, DOx1
RS485	x1
USB	USB 2.0 x 2
RJ45	x1
Reset Button	x1

Event Management

Event Trigger	Motion detection, DI
Notifications	Trigger alarm output, email/FTP and record video to local SSD/HDD or remote storage server
Post Recording	YES
Pre Recording	YES

Power

DC/AC	DC 12V/ AC 24V terminal block
-------	-------------------------------

General

Power Consumption	up to 22W
Weight	1.2Kg
Dimension	160mm(D) X 85mm(W) X 79.5mm(H)
Operating Temp.	-20°C ~ 60°C/-4°F ~ 140°F
Humidity	90% RH (no condensation)
Certification	CE/FCC
Vandal Resistant	N/A
Weather Proof	N/A
Application	SDK available for application developing

Packaging Information

NWT	1.2Kg
GWT	1.42Kg
Dimension	230X150X145 mm(Inner Box)

Ordering Information

- ◆ Nck-251 (TBA)